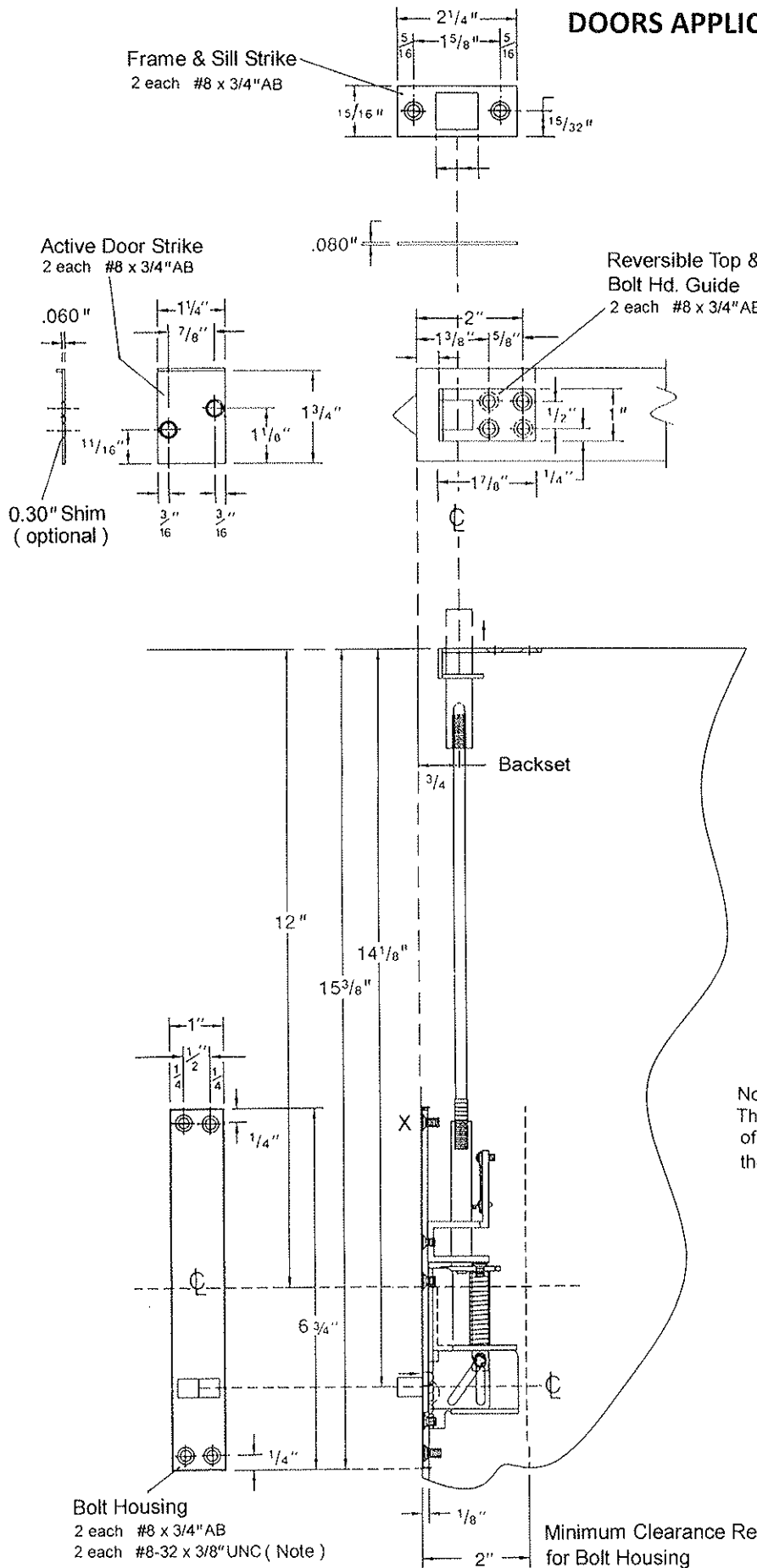
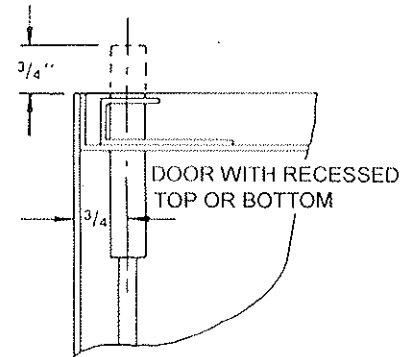


**AUTOMATIC FLUSH BOLTS**

TEMPLATE & INSTALLATION INSTRUCTION FOR  
**LHFB610M AUTO FLUSH BOLTS FOR METAL  
DOORS APPLICATION.**



DIMENSIONS SHOWN ON THIS TEMPLATE  
ARE FOR TOP FLUSH BOLTS. FOR  
BOTTOM BOLTS INVERT AND MEASURE  
FROM EDGE OF DOOR.



Note :  
The short screws are seated into the holes  
of bolt housing as shown mark X,  
where faces the Bolt Extension Rod.